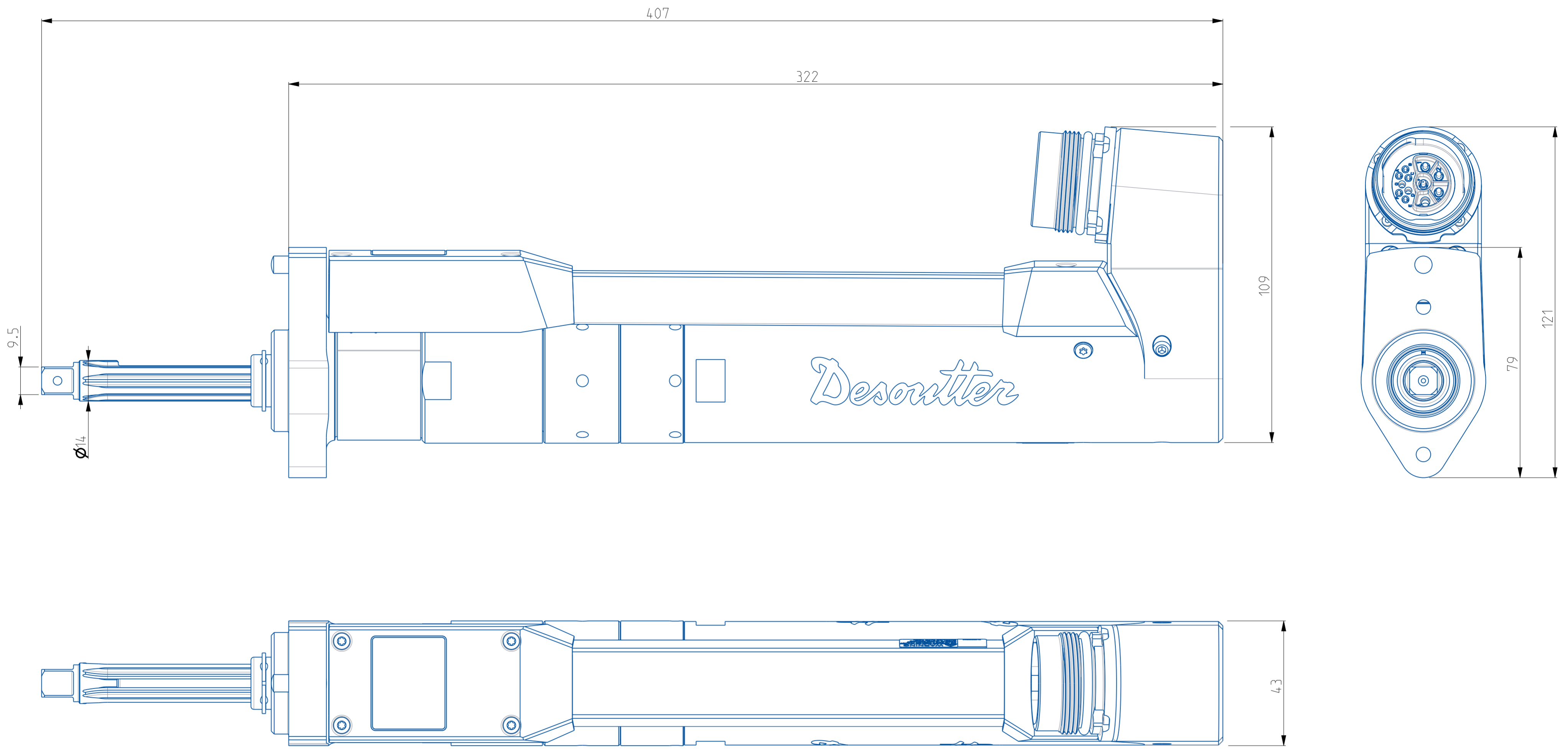


Model name: 6151662060_DIM
 Drawing No: 6151662060_DIM


Model Release Level: Production
 Drawing Release Level: Production

Rev. Use: 02.0
 Rev. No: 02.1



This document is our property and shall not be used without our permission be altered, copied, or reproduced for manufacturing or communicated to any other person or company.
 Ce document est notre propriété et ne doit pas être modifié, copié, reproduit ou communiqué à des tiers.
 Do not get any dimensions directly from the drawing.
 Ne réglez jamais une cote sur le plan.

REV.N°	ECN.N°	POS.	MODIFICATION DETAILS	DATE YYYY/MM/DD	INIT.
02	-	-	Mounting Plate Added	2023/08/08	FPA
01	-	-	Release for Production	2021/04/13	VGU

 DESCRIPTION		EFD43-30		DATE YYYYMMDD 2021/04/13		1 / 2	
				DRG. No 6151662060_DIM		Production Rev. 02	
DRG. SIZE A2	MODEL NAME 6151662060_DIM	WEIGHT 0.000 Kg	RELEASE LEVEL				
SCALE 1.0	BLANK DRG. -	PROTO DRG. -	DRG. No				
DRAWN BY VGU							

RD000618

Model name
6151662060_DIM

Model Release Level
Production

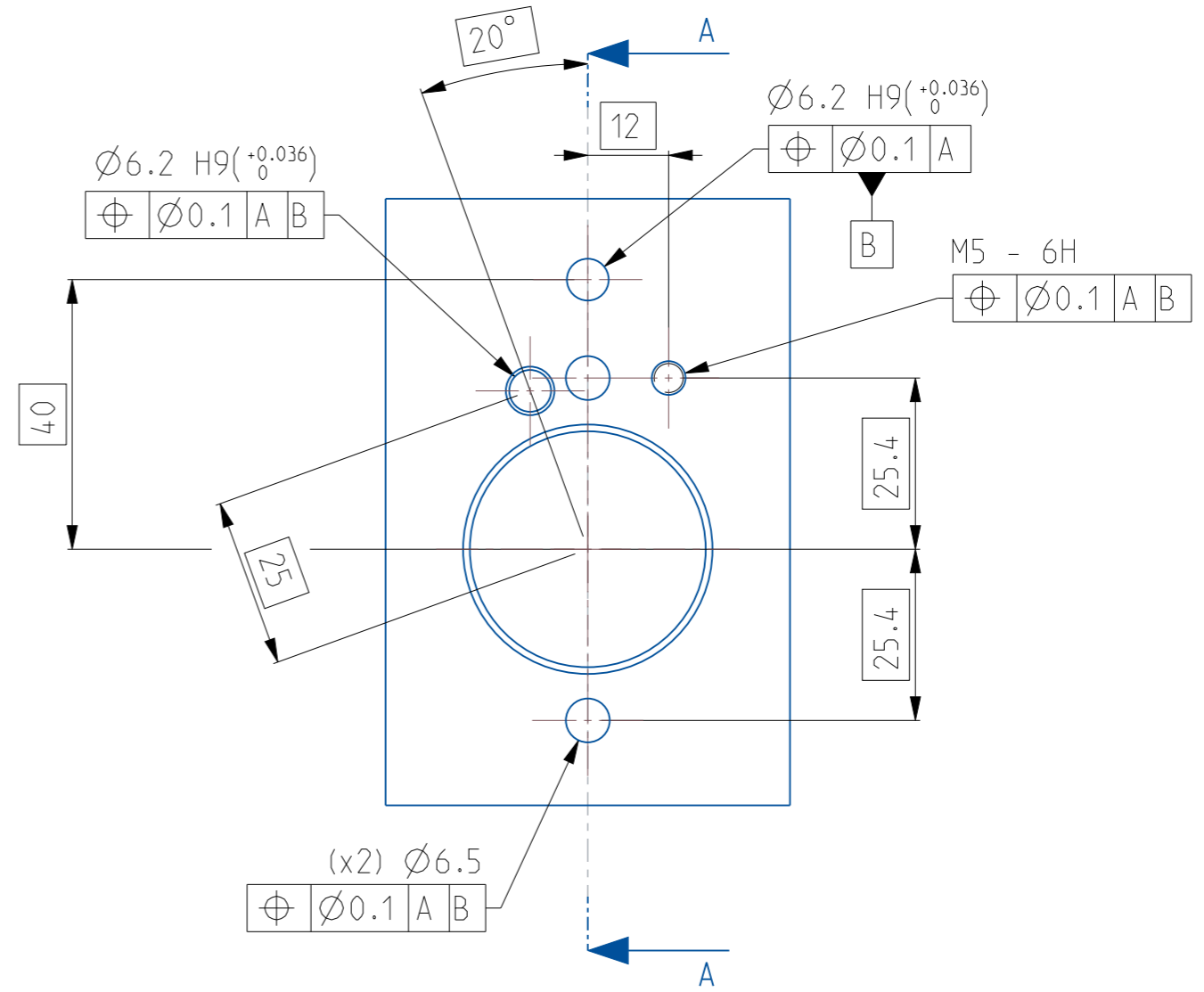
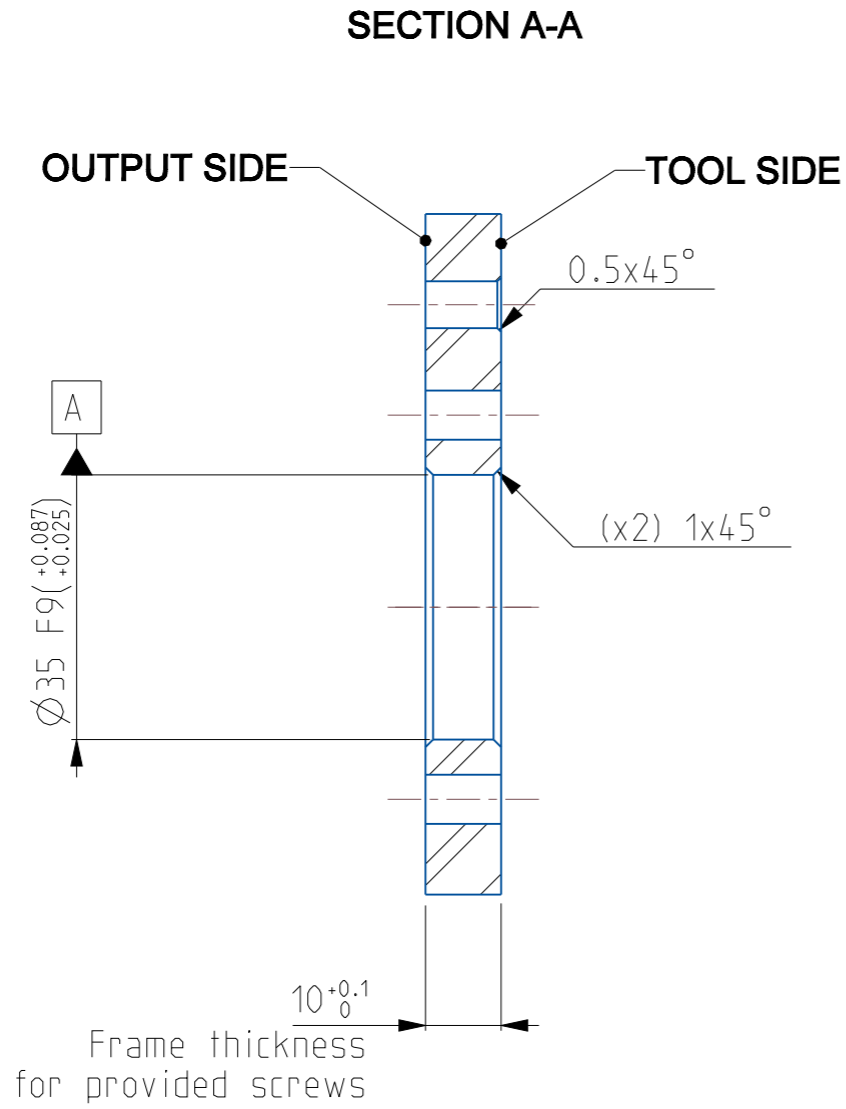
Rev.Ver
02.0

Drawing name
6151662060_DIM

Drawing Release Level
Production


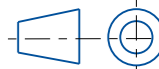
Rev.Ver
02.1

MOUNTING PLATE MACHINING INSTRUCTIONS EFD43



This document is our property and shall not without our permission be altered, copied, used for manufacturing or communicated to any other person or company. Do not get any dimensions directly from the drawing.

REV.N°	ECN.N°	POS.	MODIFICATION DETAILS	DATE YYYY/MM/DD	INIT.
02	-	-	Mounting Plate Added	2023/08/08	FPA
01	-	-	Release for Production	2021/04/13	VGU

		EFD43-30		DATE YYYY/MM/DD 2021/04/13			
				WEIGHT 0.000 Kg		2 / 2	
DRG.SIZE A3	MODEL NAME 6151662060_DIM	SCALE 1.0	BLANK DRG. -	PROTO DRG. -	DRG.No 6151662060_DIM	RELEASE LEVEL Production	Rev. 02
DRAWN BY VGU							