


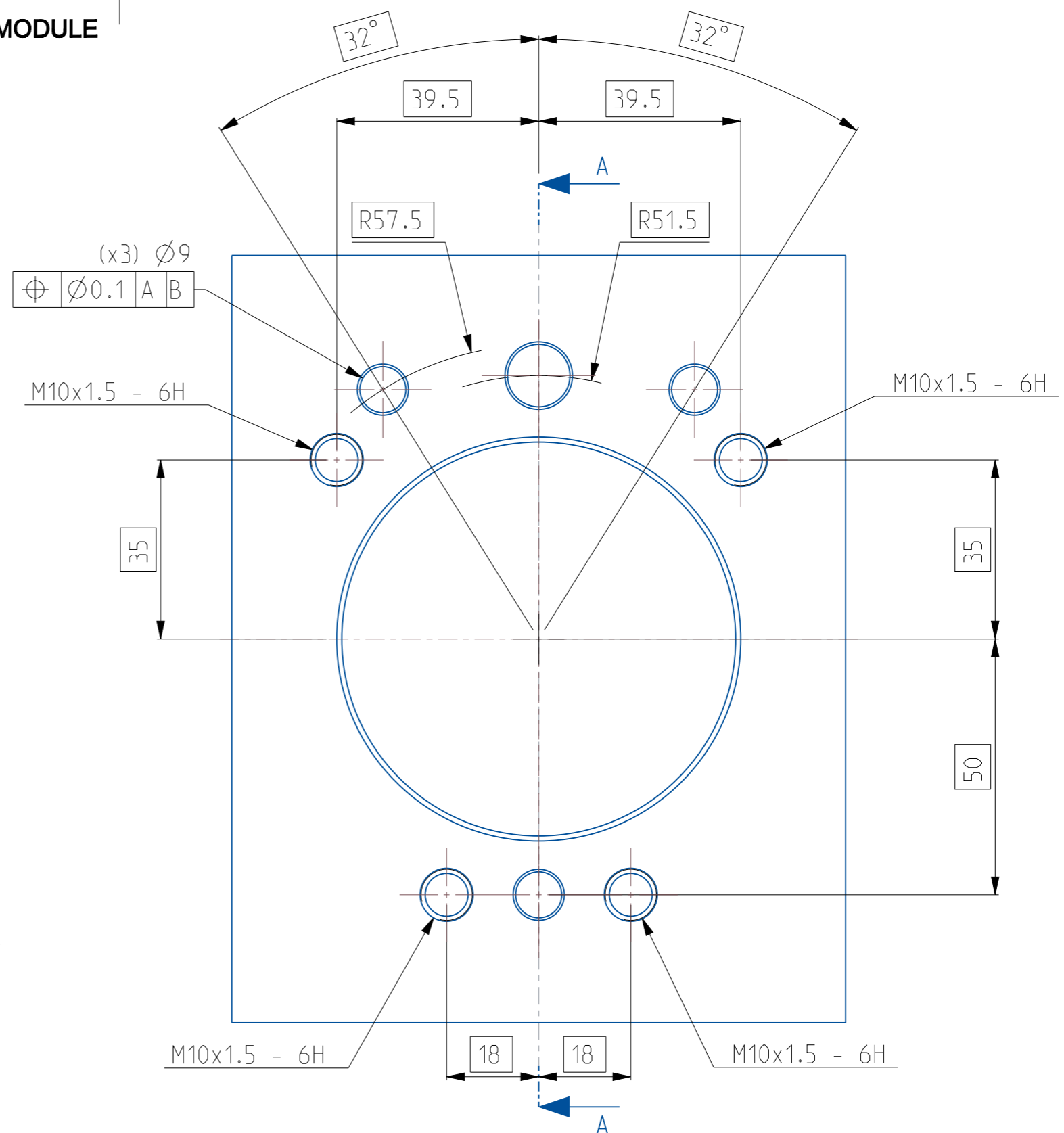
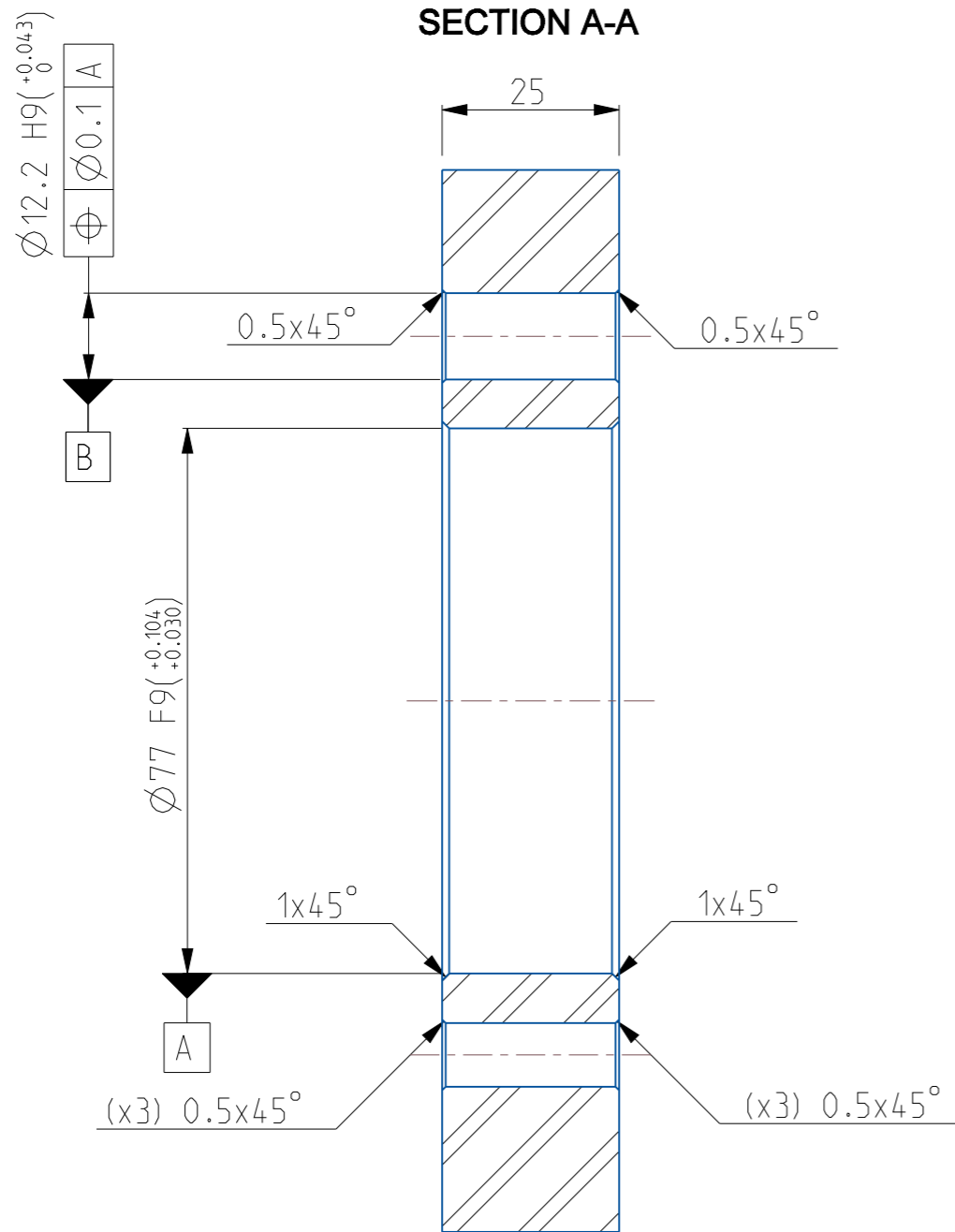
Do not add any dimensions directly from the drawing.  
 All measurements must be taken from the drawing.  
 All dimensions are in millimeters unless otherwise specified.

REV.N°	ECN.N°	POS	MODIFICATION DETAILS	DATE	INIT.
02	-	-	Mounting Plate Added	2023/08/08	FPA
01	-	-	Release for Production	2021/04/13	VGU

		<b>EFD80-330</b>		DATE: 2021/04/13	1 / 2
DRG. SIZE: A1	MODEL NAME: 6151662130_DIM	WEIGHT: 0.000 Kg	RELEASE LEVEL: Production	Rev. 02	
SCALE: 1.0	REL. DRG.: -	PHOTO DRG.: -	DRG. NO.: 6151662130_DIM	DRAWN BY: VGU	

MOUNTING PLATE EFDS80 + TELESCOPIC MODULE

Rev.Ver	02.0
Model Release Level	Production
Drawing Release Level	Production
Model name	6151662130_DIM
Drawing name	6151662130_DIM



**Recommended material : Rm > 900MPa**

This document is our property and shall not without our permission be altered, copied, used for manufacturing or communicated to any other person or company. Do not get any dimensions directly from the drawing.

REV.N°	ECN.N°	POS.	MODIFICATION DETAILS	DATE YYYY/MM/DD	INIT.
02	-	-	Mounting Plate Added	2023/08/08	FPA
01	-	-	Release for Production	2021/04/13	VGU

		<b>EFD80-330</b>		DATE YYYY/MM/DD 2021/04/13	2 / 2
				DRG.No <b>6151662130_DIM</b>	
DRG.SIZE A3	MODEL NAME 6151662130_DIM	WEIGHT 0.000 Kg	Rev. 02		
SCALE 1.0	BLANK DRG. -	PROTO DRG. -	DRAWN BY VGU		

RDM005FB