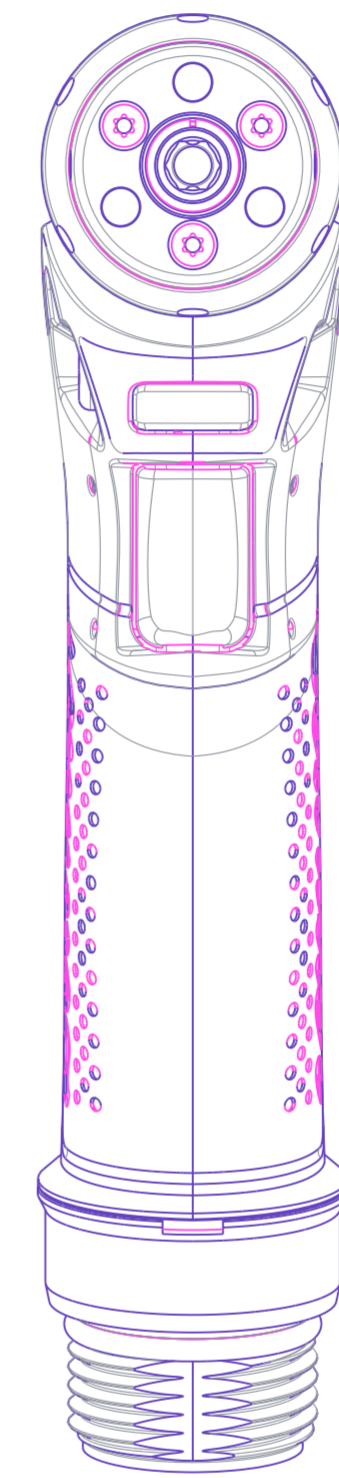
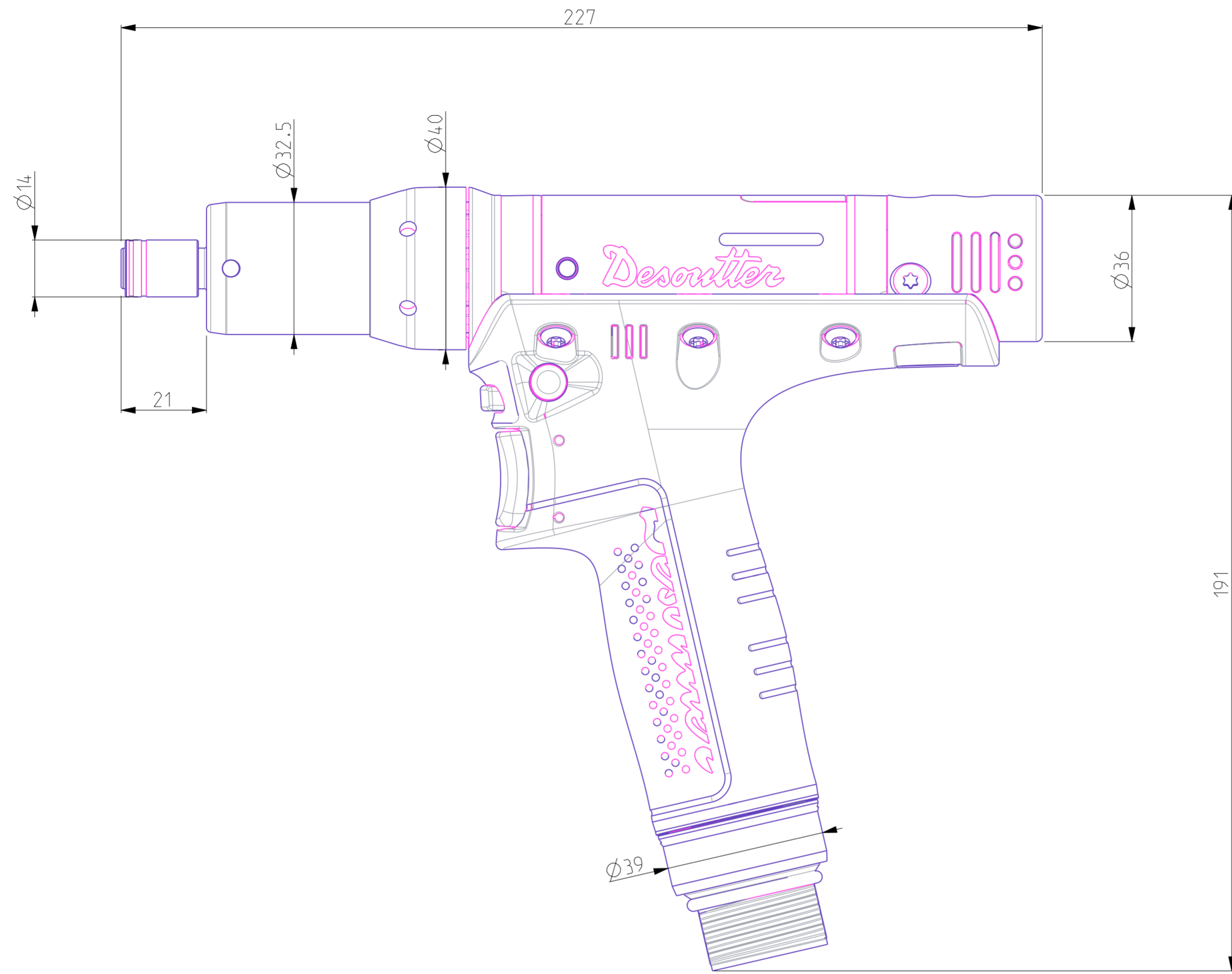


Model name	6151662810_DIM	Model Release Level	Production	Rev. User	01
Drawing name	6151662810_DIM	Drawing Release Level	Production	Rev. User	01

This document is our property and shall not be used without our permission be altered, copied, or reproduced for manufacturing or communicated to any other person or company.  
 Ce document est notre propriété et ne doit pas être modifié, copié, reproduit, répliqué, communiqué ou communiqué à des tiers.

01	-	-	Release for Production	2023/07/25	FPA
REV.N°	ECN.N°	POS.	MODIFICATION DETAILS	DATE YYYY/MM/DD	INIT.



		<b>EPD7-2080-4Q</b>		DATE 2023/07/25	Rev. <b>1 / 1</b>
DRG. SIZE	A2	MODEL NAME	6151662810_DIM	WEIGHT	0.000 Kg
SCALE	1.0	BLANK DRG.	-	PROTO DRG.	-
DRAWN BY		FPA		<b>6151662810_DIM</b>	
				<b>Production</b>	
				<b>Rev. 01</b>	

A  
B  
C  
D  
E  
F  
G

RD000618